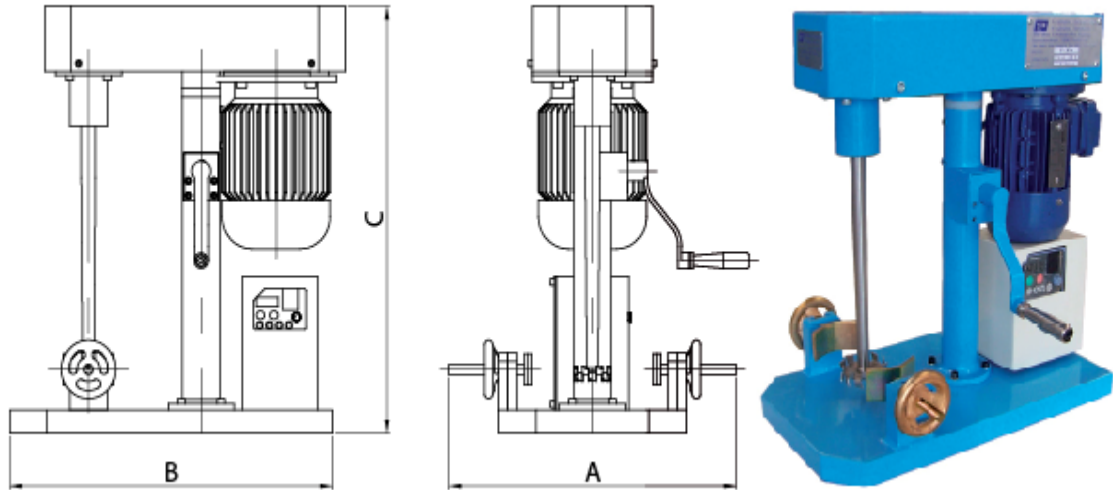




**P-Mix Dispersing and Mixer for Laboratory
Gear Series**



Basic designed for pilot laboratory work with economic price

- ❖ Moving up & down by gear system
- ❖ Adjustable high speed inverter
- ❖ Stainless steel shaft & Disc

Model	Motor (HP)	Speed (rpm)	Mixing Cap (liters)	Impeller (mm)	Stroke (mm)	A Width (mm)	B Length (mm)	C Height (mm)	Height + Stroke (mm)	Weight (Kg)
G0.25/0.25Ex	0.25	0 - 1500	0.5 - 4	50	200	400	430	473	673	25
G0.5 /0.5Ex	0.5	0 - 1500	1.0 - 4	75	200	400	430	523	723	30

P.General Products : 234 Moo.5,Prakasa Road.,Prakasa,Muang,Samutprakarn 10280 Thailand.

Tel:(662)728-5246-8 Fax:(662)728-5249

E-mail:info@p-general.com